



ATX - AISI 316L Stainless steel DHW thermal store

Buffer vessel for the storage of domestic hot water (DHW) produced by external sources (boilers, PHE). The inspection hatch can be also used to equip the cylinder with an immersion heater. These buffer vessels can also be combined with our Indirect

fresh water units (HWP I at page 236) in order to be used on medium/big size systems for DHW production with storage tanks. For small applications, buffer vessel with on board plate heat exchangers are also available (Mod. PRX at page 228).

APPLICATION



TECHNICAL FEATURES

DHW cylinder

General features

Material	AISI 316L Stainless steel (1.4404)
Internal protective treatment	Pickling and passivation
External protective treatment	Pickling and passivation
Rating (P max. / T max.)	6 bar / 95°C
Cathodic protection	Magnesium anode
Capacity	200 - 5000 L
Warranty	5 years
Insulation	- Soft insulation with polyester + PVC: Fire retardant class B2 (DIN 4102) - Hard insulation: - up to 2000 L with polyurethane foam + PVC: Fire retardant class B3 (DIN 4102) - from 2500 to 5000 L with polyester (15 mm) + polystyrene (85 mm) + PVC: Fire retardant class B2 (DIN 4102)
In compliance with	- Pressure Equipment Directive (PED) 2014/68/UE Art. 4 Para 3 - Italian MOH specifications (products suitable to contain potable water) - Energy related Products (Erp) Directive 2009/125/CE

ACCESSORIES (page 218)



Impressed current electronic anode



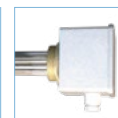
Electronic control unit



Thermostat



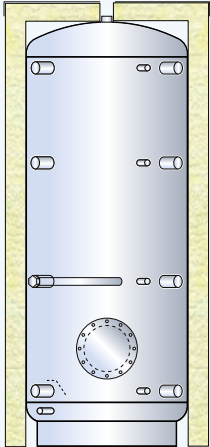
Thermometer



1 1/2 electric immersion heater



Electric immersion heater over flange



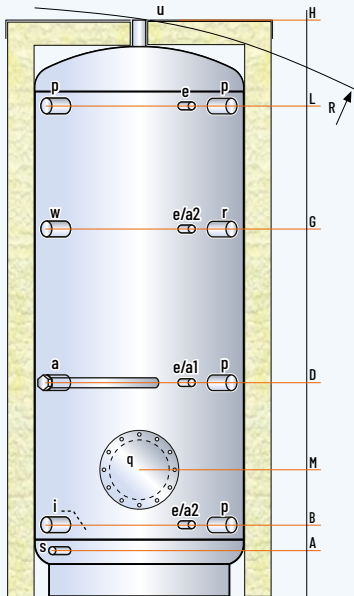
ATX - Hard insulation and PVC jacket

CODE	INSULATION THICK. (mm)	ErP CLASS	HEAT LOSS S (W)	REAL CAPACITY (L)
ATX 00200 R	50	C	62,2	191,2
ATX 00300 R	50	C	73,7	291,7
ATX 00500 R	50	C	86,1	501,7
ATX 00800 R	100	C	113,8	754,9
ATX 01000 R	100	C	117,6	936,6
ATX 01500 R	100	C	136,7	1478,0
ATX 02000 R	100	C	149,2	1958,6
ATX 02500 R	100	-	-	2502,1
ATX 03000 R	100	-	-	2966,1
ATX 04000 R	100	-	-	3903,0
ATX 05000 R	100	-	-	5013,8

ATX - Soft insulation with polyester and PVC jacket

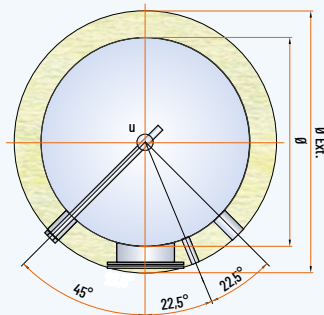
CODE	INSULATION THICK. (mm)	ErP CLASS	HEAT LOSS S (W)	REAL CAPACITY (L)
ATX 00800 F	130	C	132,6	754,9
ATX 01000 F	130	C	143,9	936,6
ATX 01500 F	130	C	169,2	1478,0
ATX 02000 F	130	C	184,6	1958,6
ATX 02500 F	100	-	-	2502,1
ATX 03000 F	100	-	-	2966,1
ATX 04000 F	100	-	-	3903,0
ATX 05000 F	100	-	-	5013,8

200 - 1500 L

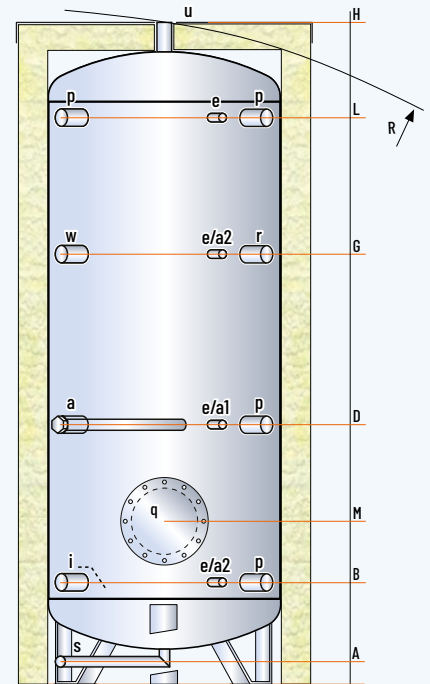


LEGEND

- a . Magnesium anode
- a1-a2. Opening for electronic anode
- e . Thermometer - Sensor
- i . Domestic cold water inlet
- p . Free connection
- q . DHW inspection hatch
- r . Recirculation
- s . Drain
- u . Domestic hot water outlet
- w . Opening for immersion heater



2000 - 5000 L



MODEL	DIMENSIONS (mm)		Ø EXT ** (Hard/Soft ins.)	R *	Electronic anode (optional)	WEIGHT (kg)
	Ø	H				
ATX 00200 R	450	1305	550	1430	a1 (EPS 375/125)	50
ATX 00300 R	500	1595	600	1720	a1 (EPS 375/125)	61
ATX 00500 R	650	1645	750	1820	a1 (EPS 375/125)	78
ATX 00800_	790	1750	990/1050	1745	a1 (EPS 375/125)	116
ATX 01000_	790	2110	990/1050	2095	a1 (EPS 375/125)	134
ATX 01500_	1000	2115	1200/1260	2145	a2 (EPS 375/125)	195
ATX 02000_	1100	2465	1300/1360	2465	a2 (EPS 375/125)	261
ATX 02500_	1200	2595	1400	2640	a2 (EPS 700/200)	307
ATX 03000_	1250	2795	1450	2835	a2 (EPS 700/200)	335
ATX 04000_	1400	2925	1600	2995	a2 (EPS 700/200)	492
ATX 05000_	1600	2955	1800	3090	a2 (EPS 700/200)	576

* For capacities from 200 to 500 litres, the tilt height refers to the insulated cylinder

** The insulation is removable except for models from 200 to 500 litres

MODEL	HEIGHTS (mm)						CONNECTIONS (GAS)					
	A	B	D	G	L	M	a pr	e	i u	s	w	q
ATX 00200 R	110	190	515	890	1075	350	1"¼	½"	1"¼	1"	1"½	220/290
ATX 00300 R	110	215	595	1080	1350	375	1"¼	½"	1"¼	1"	1"½	220/290
ATX 00500 R	135	240	615	1105	1375	445	1"¼	½"	1"¼	1"	1"½	220/290
ATX 00800_	170	275	655	1145	1410	450	1"¼	½"	1"½	1"	1"½	300/380
ATX 01000_	170	275	810	1355	1755	455	1"¼	½"	1"½	1"	1"½	300/380
ATX 01500_	235	340	765	1400	1725	520	1"¼	½"	2"	1"	1"½	300/380
ATX 02000_	100	475	1010	1515	1975	655	1"¼	½"	2"	1"	1"½	350/430
ATX 02500_	100	505	1040	1600	2105	690	1"¼	½"	2"	1"	1"½	350/430
ATX 03000_	90	515	1100	1730	2300	675	1"¼	½"	3"	1"	1"½	350/430
ATX 04000_	120	595	1190	1815	2380	755	1"¼	½"	3"	1"	1"½	350/430
ATX 05000_	100	600	1185	1815	2385	825	1"¼	½"	3"	1"	1"½	350/430

Disclaimer: this layout is purely indicative. It does not replace consultant's design

LEGEND

- | | |
|---|-----------------------------|
| 1 . Domestic water expansion vessel | 5 . Pressure reducing valve |
| 2 . Domestic water drain | 6 . DWH Recirculation pump |
| 3 . Domestic water safety valve (6 bar) | 7 . DWH 3-way valve |
| 4 . Strainer | |

