

EASY - Double fixed coil boiler with solar module



Boiler for the production and storage of hot domestic water equipped with double internal coil heat exchanger. It is provided with the solar module and the control unit already prepared for direct connection to the solar panel.

Solar Module Features:

- Cover powder metal coated, insulated and removable
- Return line connected to the solar heat exchanger consisting of:
- Meter/flow regulator complete with valves for loading and unloading the plant.
- High-efficiency solar pump
- Ball valve with non-return valve 10 mbar
- Safety group 6 bar with pressure gauge 0-10 bar connection for the expansion vessel and exhaust

Electronic control unit with the following features:

- Differential calculus of the temperature on the solar circuit
- PWM control of the solar pump
- Temperature control on the boiler (2 sensors) and panel (1 probe)
- Clear contact to activate the intervention of a complementary boiler or of an electrical resistance (230 VAC - 13A max - max 2.5 kW)
- Intuitive graphical menu in four languages
- Cycle management antilegionella
- Optional management of the sanitary recirculation with the possibility to connect another probe.



TECHNICAL CHARACTERISTICS

Sanitary	Material:	Inox AISI 316L	S 235 Jr enamelled
	Internal protective processing:	Pickling and passivation	Inorganic alimentary enamelling (DIN 4753.3)
	External protective processing:	Pickling and passivation	Painting with anti rust and industrial glaze
	Operation (P max. / T max.):	6 bar / 95°C	8 bar / 95°C
	Cathodic protection:	Magnesium anode	
Upper exchanger (boiler)	Material:	Inox AISI 316L	S 235 Jr enamelled
	Internal protective processing:	Pickling and passivation	Rough
	External protective processing:	Pickling and passivation	Inorganic alimentary enamelling (DIN 4753.3)
Lower exchanger (solar)	Typology:	Spiral fixed coil	
	Operation (P max. / T max.):	12 bar / 95°C	12 bar / 95°C
General characteristics	Capacity:	200 - 300 - 500 Lt	
	Warranty:	5 years (sanitary storage), 2 years (hydraulics), 1 year (electrical parts)	
	Insulation:	Rigid polyurethane + pvc: Fire resistance class B3 (DIN 4102)	
	Reference legislation:	- PED 14/68/UE Art. 4 Par. 3 (Pressure equipment) - M.D. of 6th April 2004 N.174 (suitability of materials in contact with SHW) - Directive 2009/125/CE (Energy related Products)	

FITTINGS
(pag. 152)



Electronic anode with impressed current



Electrical resistance 1"1/2 connection



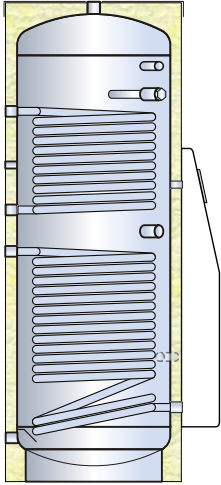
Thermostat



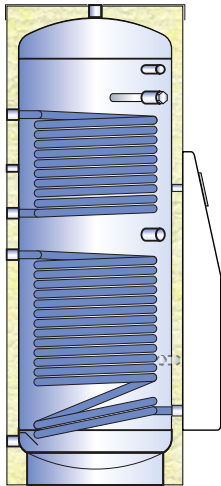
Thermometer



Expansion vessel set
(pag. 165)

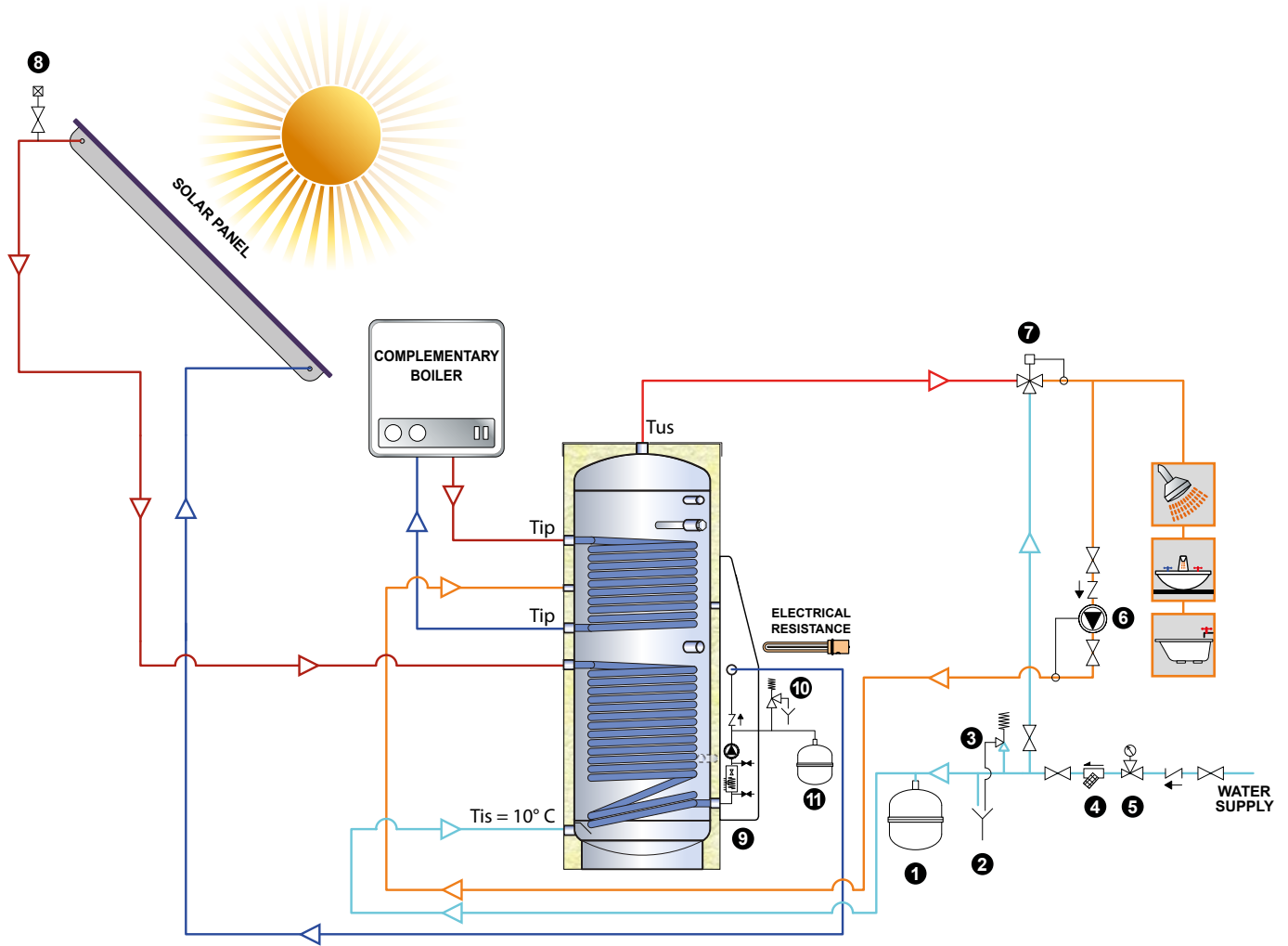


EASY X - Stainless steel boiler AISI 316L with solar module		
Insulated with rigid Polyurethane 50 mm + pvc		
Code	ErP	€
EASY X 00200 R	B	-
EASY X 00300 R	B	-
EASY X 00500 R	B	-



EASY V - Enamelled boiler with solar module		
Insulated with rigid Polyurethane 50 mm + pvc		
Code	ErP	€
EASY V 00200 R	B	-
EASY V 00300 R	B	-
EASY V 00500 R	B	-

Caution: Indicative Schematic diagram, not substitutive for project work.



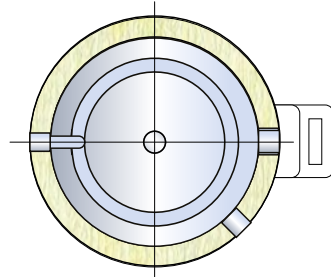
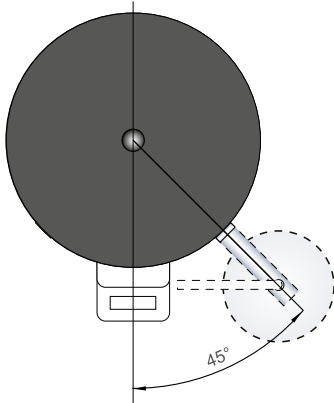
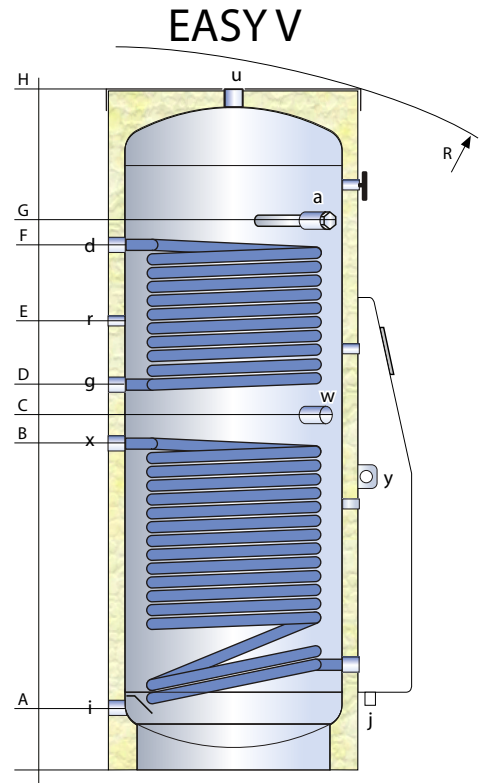
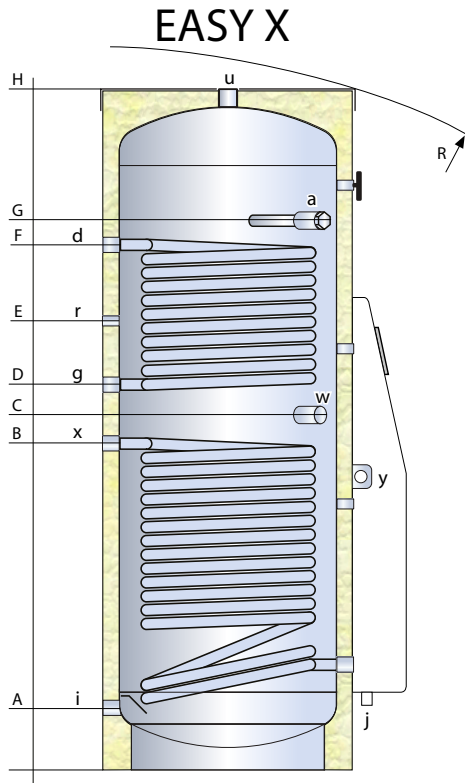
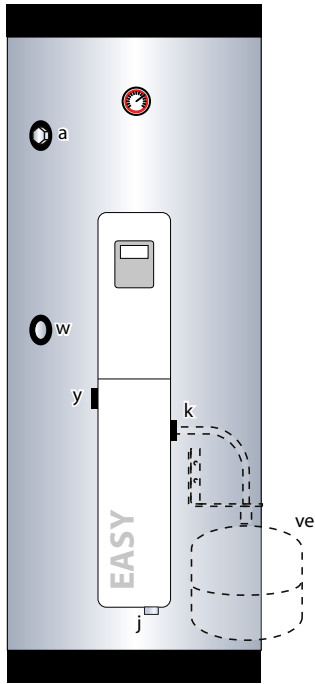
LEGEND

- 1. Expansion vessel
- 2. Sanitary drain
- 3. Sanitary safety valve (6 bar)
- 4. Dirt filter
- 5. Pressure reducer
- 6. Sanitary recirculation pump
- 7. Sanitary mixing valve
- 8. Vent with shut-off
- 9. Solar power managing module
- 10. Solar power safety unit (6 bar)
- 11. Expansion vessel

Model	lower exchanger								upper exchanger								Amount of water in the first 10 min (Lt/10')
	Sq.m. (Lt)	Lt/h (mca)	Tip (°C)	production of Sanitary Hot Water				Sq.m. (Lt)	Lt/h (mca)	Tip (°C)	production of Sanitary Hot Water				NL*		
				Tus=45°C		Tus=60°C					Tus=45°C		Tus=60°C				
				Power (kW)	Flow (Lt/h)	Power (kW)	Flow (Lt/h)				Power (kW)	Flow (Lt/h)	Power (kW)	Flow (Lt/h)			
EASY_00200R	1 (7,1)	2000 (0,3)	80	29,1	715	23,2	399	0,6 (4,3)	2000 (0,2)	80	18,2	446	14,5	249	1,2	324	
			70	23,1	567	16,5	283				14,4	354	10,2	176		313	
EASY_00300R	1,5 (10,6)	2000 (0,5)	80	41,4	1016	33,4	575	1 (7,1)	2000 (0,3)	80	29,1	715	23,2	399	2,1	479	
			70	32,9	808	23,8	409				23,1	567	16,5	283		464	
EASY_00500R	2,1 (14,9)	3000 (1,5)	80	58,6	1439	47,2	811	1,2 (8,5)	3000 (0,9)	80	35,6	875	28,5	490	5,3	760	
			70	46,5	1143	33,5	577				28,3	694	20,0	344		743	

* Efficiency coefficient NL (DIN 4708)

For the purposes of the Directive (ErP) 2009/125/EC Regulation N° 812/2013 and N° 814/2013 the results of the energy measurements are given on page 218



- a magnesium anode
- d boiler flow
- e thermometer - probe
- g boiler return system
- i domestic cold water input
- r recirculation
- u domestic hot water outlet

- w electrical resistance provision
- x solar flow
- y solar return
- ve expansion vessel (accessory)
- j safety outlet solar circuit
- k connection for expansion tank

Model	Dimensions (mm)				Exchanger (Sq.m.)		Weight (Kg)
	Ø	H	Ø Ext	R	Lower	Upper	
EASY_00200R	450	1320	550	1440	1,00	0,60	82
EASY_00300R	500	1610	600	1730	1,50	1,00	110
EASY_00500R	650	1660	750	1835	2,10	1,20	140

Model	Quotes (mm)							Connections (gas)			
	A	B	C	D	E	F	G	au	dgxy	r	w
EASY_00200R	110	632	690	752	857	1032	1077	1"1/4	1"	1/2"	1"1/2
EASY_00300R	120	790	845	900	1020	1200	1250	1"1/4	1"	1/2"	1"1/2
EASY_00500R	145	795	890	950	1095	1285	1355	1"1/4	1"	1/2"	1"1/2