

## ARX - Stainless Steel AISI 304 refrigerated water accumulation

## ARZ - Galvanized steel refrigerated water accumulator

## ARN - Black steel refrigerated water accumulator



Storage of water from air-conditioning systems and refrigeration. Thermal fly-wheel complete with anti-condensing insulation.

The thermal fluid contained in the tank must operate "closed loop" (without oxygen), this to avoid corrosion.

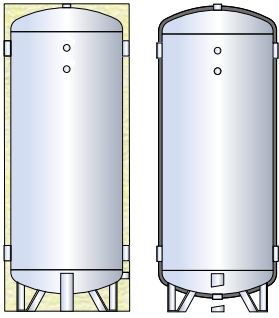
### TECHNICAL CHARACTERISTICS

		ARX	ARZ	ARN
Tank	Material:	Inox AISI 304	S 235 Jr Galvanized	ST 235Jr Black
	Internal protective processing:	Pickling and passivation	Galvanizing D.M. 174/04	Rough
	External protective processing:	Pickling and passivation	Galvanizing D.M. 174/04	Rough
	P max. / T max.:	6 bar / -10/+25°C	6 bar / -10/+60°C	6 bar / -10/+60°C
General characteristics	Capacity:	100 - 5000 Lt		
	Warranty:	3 years	2 years	2 years
	Anti-conditioning insulation:	- Rigid polyur. 30 mm thick. + pvc (indoor): <i>Fire res. class B3 (DIN 4102)</i>		
		- Rigid polyur. 30 mm thick. + anti-UV pvc (outdoor): <i>Fire res. class B3 (DIN 4102)</i>		
		- PEXL 20 mm thickness + pvc (indoor): <i>Fire res. class B3 (DIN 4102)</i>		
Reference legislation:	- PED 14/68/UE Art. 4 Par. 3			

### FITTINGS (pag. 152)

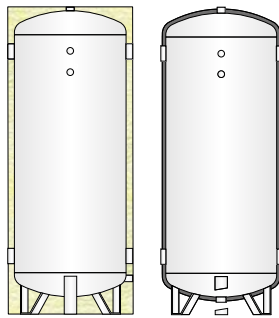


Thermometer



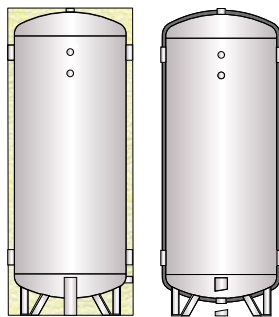
<b>ARX - Stainless Steel AISI 304 Refrigerated Water accumulation</b>			
Rigid polyurethane insulation thick. 30 mm + pvc		PEXL insulation thick. 20 mm + pvc	
Code	€	Code	€
ARX 00100 R	-	ARX 00100 F	-
ARX 00200 R	-	ARX 00200 F	-
ARX 00300 R	-	ARX 00300 F	-
ARX 00500 R	-	ARX 00500 F	-
ARX 00800 R	-	ARX 00800 F	-
ARX 01000 R	-	ARX 01000 F	-
-	-	ARX 01500 F	-
-	-	ARX 02000 F	-
-	-	ARX 02500 F	-
-	-	ARX 03000 F	-
-	-	ARX 04000 F	-
-	-	ARX 05000 F	-

For bigger capacities require estimate. Horizontal version +10% (Pexl 20 mm insulation only)



<b>ARZ - Galvanized Steel Refrigerated Water accumulator</b>							
Rigid polyurethane insulation thick. 30 mm + pvc				PEXL insulation thick. 20 mm + pvc			
indoor version		outdoor version		indoor version		outdoor version	
Code	€	Code	€	Code	€	Code	€
ARZ 00100 R	-	ARZ 00100 RE	-	ARZ 00100 F	-	-	-
ARZ 00200 R	-	ARZ 00200 RE	-	ARZ 00200 F	-	-	-
ARZ 00300 R	-	ARZ 00300 RE	-	ARZ 00300 F	-	-	-
ARZ 00500 R	-	ARZ 00500 RE	-	ARZ 00500 F	-	-	-
ARZ 00800 R	-	ARZ 00800 RE	-	ARZ 00800 F	-	-	-
ARZ 01000 R	-	ARZ 01000 RE	-	ARZ 01000 F	-	-	-
-	-	-	-	ARZ 01500 F	-	ARZ 01500 FE	-
-	-	-	-	ARZ 02000 F	-	ARZ 02000 FE	-
-	-	-	-	ARZ 02500 F	-	ARZ 02500 FE	-
-	-	-	-	ARZ 03000 F	-	ARZ 03000 FE	-
-	-	-	-	ARZ 04000 F	-	ARZ 04000 FE	-
-	-	-	-	ARZ 05000 F	-	ARZ 05000 FE	-

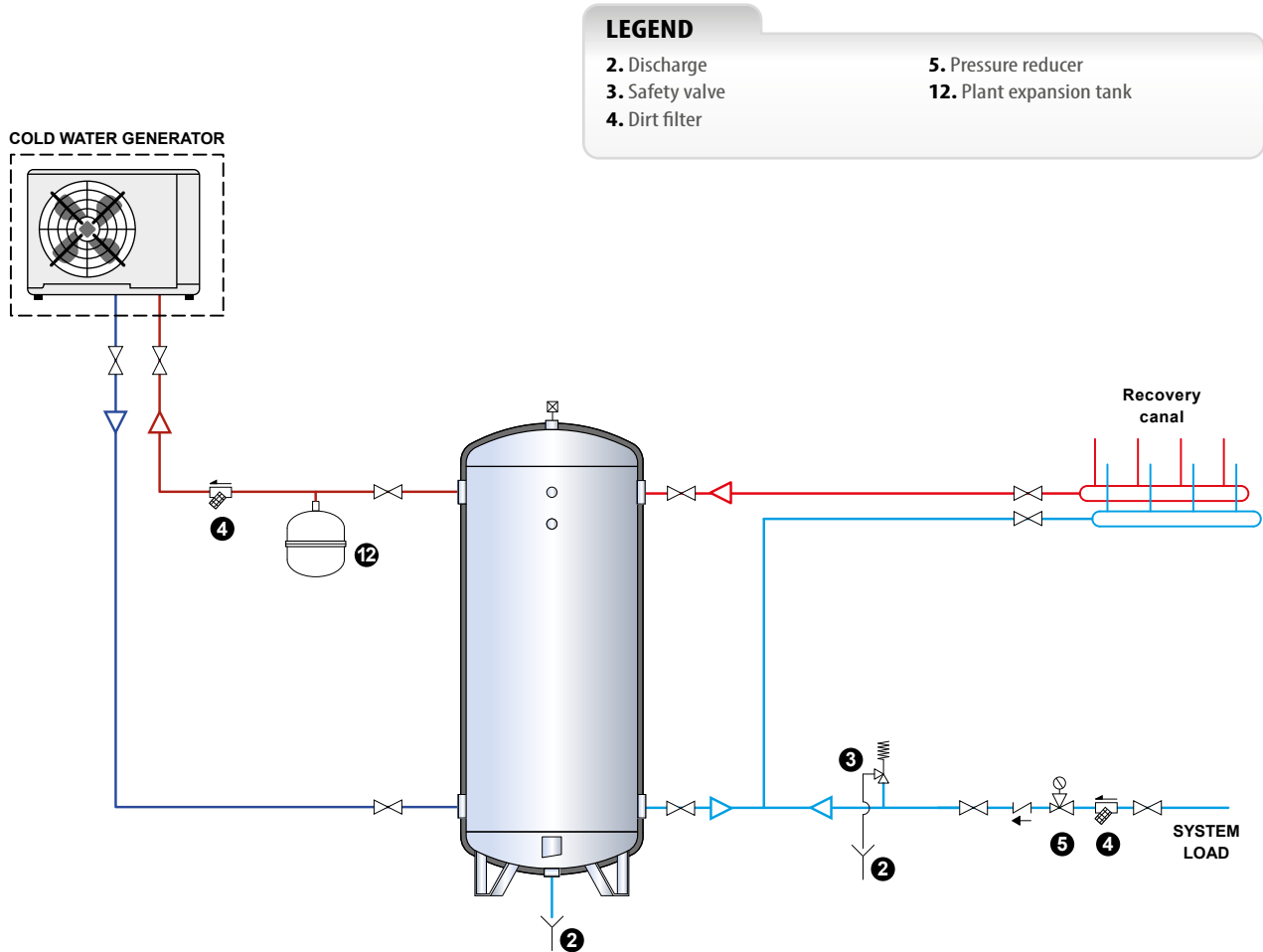
For bigger capacities require estimate. Horizontal version +10% (Pexl 20 mm insulation only)



<b>ARN - Black Steel Refrigerated Water Accumulator</b>			
Rigid polyurethane insulation thick. 30 mm + pvc		PEXL insulation thick. 20 mm + pvc	
Code	€	Code	€
ARN 00100 R	-	ARN 00100 F	-
ARN 00200 R	-	ARN 00200 F	-
ARN 00300 R	-	ARN 00300 F	-
ARN 00500 R	-	ARN 00500 F	-
ARN 00800 R	-	ARN 00800 F	-
ARN 01000 R	-	ARN 01000 F	-
-	-	ARN 01500 F	-
-	-	ARN 02000 F	-
-	-	ARN 02500 F	-
-	-	ARN 03000 F	-
-	-	ARN 04000 F	-
-	-	ARN 05000 F	-

For bigger capacities require estimate. Horizontal version +10% (Pexl 20 mm insulation only)

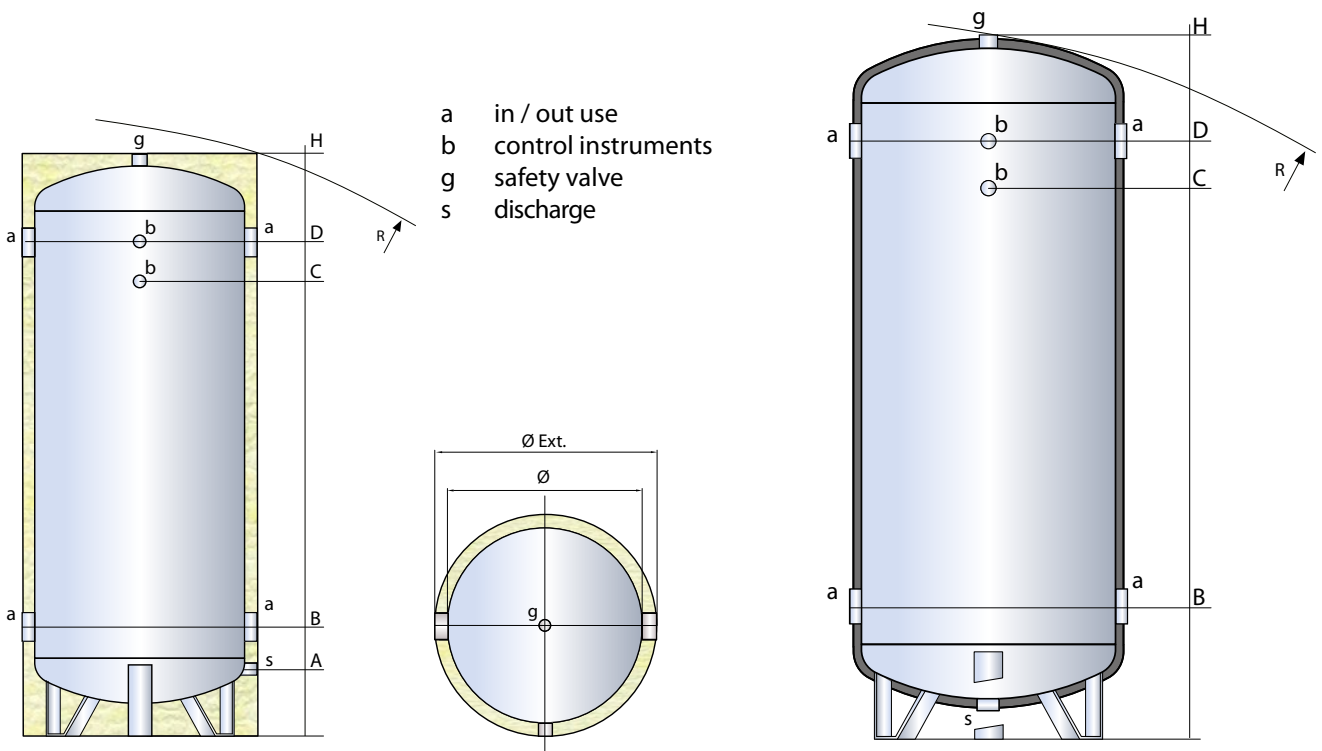
Caution: Indicative Schematic diagram, not substitutive for project work.



Capacities for cold water accumulators are given for each model on page 231

## 100 - 1000 Lt

## 1500 - 5000 Lt



Model	Dimensions (mm)				Weight ARZ (Kg)
	Ø	H	Ø Ext	R*	
AR_00100_	400	905	450	1025	20
AR_00200_	450	1305	500	1410	30
AR_00300_	500	1585	550	1695	38
AR_00500_	650	1640	710	1800	61
AR_00800_	790	1675	850	1895	79
AR_01000_	790	2035	850	2210	93
AR_01500F	1000	2140	1060	2220	132
AR_02000F	1100	2360	1160	2460	195
AR_02500F	1200	2520	1260	2640	228
AR_03000F	1250	2720	1310	2835	287
AR_04000F	1400	2850	1460	3000	335
AR_05000F	1600	2880	1660	3095	440

\* For capacities from 200 to 1000 Lt the diagonal of rollover is referred to the insulated tank

Model	Quotes (mm)				Connections (gas)			
	A	B	C	D	a	b	g	s
AR_00100_	105	210	560	710	1"1/2	1/2"	1"1/4	1"
AR_00200_	135	220	945	1095	1"1/2	1/2"	1"1/4	1"
AR_00300_	125	275	1170	1320	2"	1/2"	1"1/4	1"
AR_00500_	155	305	1200	1350	3"	1/2"	1"1/4	1"
AR_00800_	170	320	1215	1365	3"	1/2"	1"1/2	1"
AR_01000_	170	320	1560	1710	3"	1/2"	1"1/2	1"
AR_01500F	-	485	1630	1780	3"	1/2"	1"1/2	1"1/2
AR_02000F	-	490	1835	1985	3"	1/2"	1"1/2	1"1/2
AR_02500F	-	540	1945	2095	4"	1/2"	1"1/2	1"1/2
AR_03000F	-	535	2140	2290	4"	1/2"	1"1/2	1"1/2
AR_04000F	-	615	2220	2370	4"	1/2"	1"1/2	1"1/2
AR_05000F	-	620	2220	2370	4"	1/2"	1"1/2	1"1/2

Technical water  
 thermal accumulators