

PFXXL - Extralarge Pufferspeicher thermal accumulator



Thermal accumulator of large dimensions for the storage of high amounts of heating water produced by continuous and discontinuous heat sources.

Suitable for biomass, district heating, industrial plants.

The thermal fluid contained in the tank must operate "closed loop" (without oxygen), this to avoid corrosion.



TECHNICAL CHARACTERISTICS

| | | |
|-------------------------|---------------------------------|--|
| Puffer | Material: | S 235 Jr |
| | Internal protective processing: | Rough |
| | External protective processing: | Painting with anti rust and industrial glaze |
| | Operation (P max. / T max.): | 4 o 6 bar / 95°C |
| General characteristics | Capacity: | 6000 - 30000 Lt (available up to 100 000 Lt) |
| | Warranty: | 2 years |
| | Insulation: | Flexible PU with pvc coating (insulation delivered separately) |
| | Reference legislation: | - PED 14/68/UE Art. 4 Par. 3 |

FITTINGS
(pag. 152)



Electronic control unit



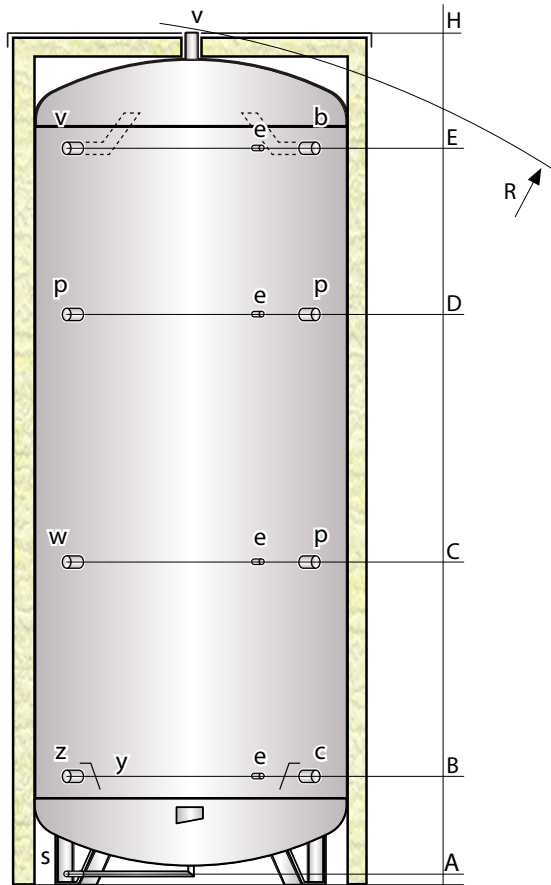
Electrical resistance 1"1/2 connection



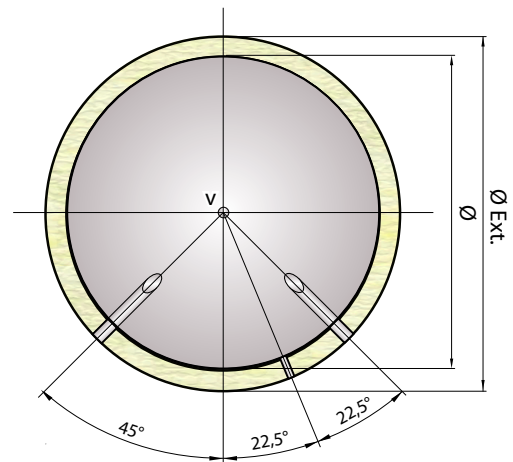
Thermostat



Thermometer



- b biomass boiler flow
- c biomass boiler return
- e thermometer - probe
- p service connection
- v heating system flow
- w preparation for electrical resistance
- z return from low temperature heating system



Technical water thermal accumulators

| Model | Dimensions (mm) | | | | Quotes (mm) | | | | | Connections (gas) | | | | | Weight PFXXL (6 bar) (Kg) |
|--------------|-----------------|------|---------|------|-------------|-----|------|------|------|-------------------|---------|-------|------|--|---------------------------|
| | Ø | H | Ø Ext * | R | A | B | C | D | E | e | bcnpvwz | s | | | |
| PFXXL 0600_F | 1600 | 3460 | 1800 | 3590 | 60 | 570 | 1345 | 2135 | 2925 | 1/2" | 2" | 1"1/4 | 598 | | |
| PFXXL 0800_F | 2000 | 3180 | 2200 | 3470 | 120 | 760 | 1325 | 1955 | 2520 | 1/2" | 2" | 1"1/4 | 862 | | |
| PFXXL 1000_F | 2000 | 3680 | 2200 | 3890 | 120 | 760 | 1485 | 2275 | 3015 | 1/2" | 3" | 1"1/4 | 1056 | | |
| PFXXL 1500_F | 2250 | 4990 | 2450 | 5160 | 120 | 790 | 1960 | 3130 | 4300 | 1/2" | 3" | 1"1/4 | 1841 | | |
| PFXXL 2000_F | 2500 | 4850 | 2700 | 5110 | 120 | 845 | 1925 | 3025 | 4105 | 1/2" | 3" | 1"1/4 | 2052 | | |
| PFXXL 3000_F | 2500 | 6850 | 2700 | 7000 | 120 | 845 | 2595 | 4355 | 6100 | 1/2" | 3" | 1"1/4 | 2908 | | |

* All insulations are removable and provided separately from the tank

| PFXXL - Pufferspeicher thermal accumulator | | | |
|---|---|---------------|---|
| Flexible Polyurethane insulation thick. 100mm + pvc | | | |
| 4 bar | | 6 bar | |
| Code | € | Code | € |
| PFXXL 06004 F | - | PFXXL 06006 F | - |
| PFXXL 08004 F | - | PFXXL 08006 F | - |
| PFXXL 10004 F | - | PFXXL 10006 F | - |
| PFXXL 15004 F | - | PFXXL 15006 F | - |
| PFXXL 20004 F | - | PFXXL 20006 F | - |
| PFXXL 30004 F | - | PFXXL 30006 F | - |

Horizontal versions + 10% - Available on request up to 100.000 Lt

Real capacities for thermal accumulators are given on page 231