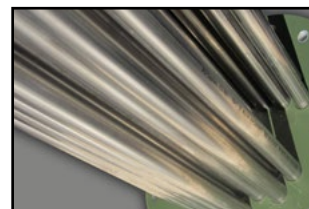


BV1B - Blueline Boiler with removable exchanger



Boiler for the production and storage of Sanitary Hot Water. The boiler is made of carbon steel protected by internal Blueline processing, It is equipped with a removable heat exchanger made of copper or stainless steel tube bundle.

The heat exchanger is bent downward to prevent bacterial growth in the coldest area in the boiler.



TECHNICAL CHARACTERISTICS

Sanitary	Material:	S 235 Jr Blueline
	Internal protective processing:	Alimentary epoxy coating
	External protective processing:	Painting with anti rust and industrial enamel
	Operation (P max. / T max.):	6 bar / 70° C
	Cathodic protection:	Magnesium anode
Exchanger	Material:	Stainless steel or Copper
	Typology:	U-tube bundle with removable plate
	Operation (P max. / T max.):	12 bar / 95°C
General characteristics	Capacity:	1500 - 5000 Lt
	Warranty:	3 years (<i>sanitary storage</i>), 2 years (<i>removable exchanger</i>)
	Insulation:	- Flexible Polyester + pvc: <i>Fire resistance class B2 (DIN4102)</i>
		- Rigid insulation: - up to 2000 Lt in polyurethane + pvc: <i>Fire resistance class B3 (DIN4102)</i> - from 2500 to 5000 Lt polyester (15) + polystyrene (85) + pvc: <i>Fire resistance class B2 (DIN4102)</i>
Reference legislation:	- PED 14/68/UE Art. 4 Par. 3 (Pressure equipment) - M.D. of 6th April 2004 N.174 (suitability of materials in contact with SHW) - Directive 2009/125/CE (Energy related Products)	

FITTINGS
(pag. 152)



Electronic anode with impressed current



Electronic control unit



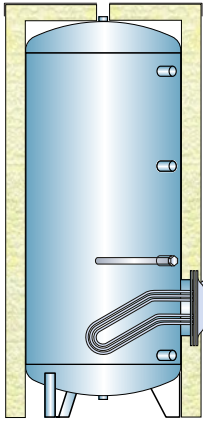
Electrical resistance 1 1/2 connection



Thermostat

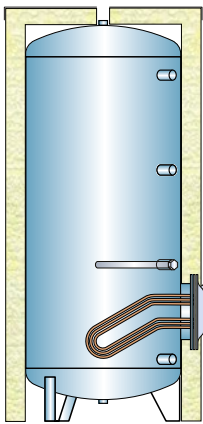


Thermometer



BV1BI - Blueline Boiler with inox removable exchanger						
Flexible polyester insul. 100 mm thick + pvc			Rigid insulation + pvc			
Code	ErP	€	Code	Thickness (mm)	ErP	€
BV1BI 01500 F	D	-	BV1BI 01500 R	100	C	-
BV1BI 02000 F	D	-	BV1BI 02000 R	100	C	-
BV1BI 02500 F	-	-	BV1BI 02500 R	100	-	-
BV1BI 03000 F	-	-	BV1BI 03000 R	100	-	-
BV1BI 04000 F	-	-	BV1BI 04000 R	100	-	-
BV1BI 05000 F	-	-	BV1BI 05000 R	100	-	-
KDS* (Exhaust kit)		-				

* Model BV1BI 01500 doesn't need an exhaust kit
Horizontal version +10%



BV1BR - Blueline Boiler with copper removable exchanger						
Flexible polyester insul. 100 mm thick + pvc			Rigid insulation + pvc			
Code	ErP	€	Code	Thickness (mm)	ErP	€
BV1BR 01500 F	D	-	BV1BR 01500 R	100	C	-
BV1BR 02000 F	D	-	BV1BR 02000 R	100	C	-
BV1BR 02500 F	-	-	BV1BR 02500 R	100	-	-
BV1BR 03000 F	-	-	BV1BR 03000 R	100	-	-
BV1BR 04000 F	-	-	BV1BR 04000 R	100	-	-
BV1BR 05000 F	-	-	BV1BR 05000 R	100	-	-
KDS* (Exhaust kit)		-				

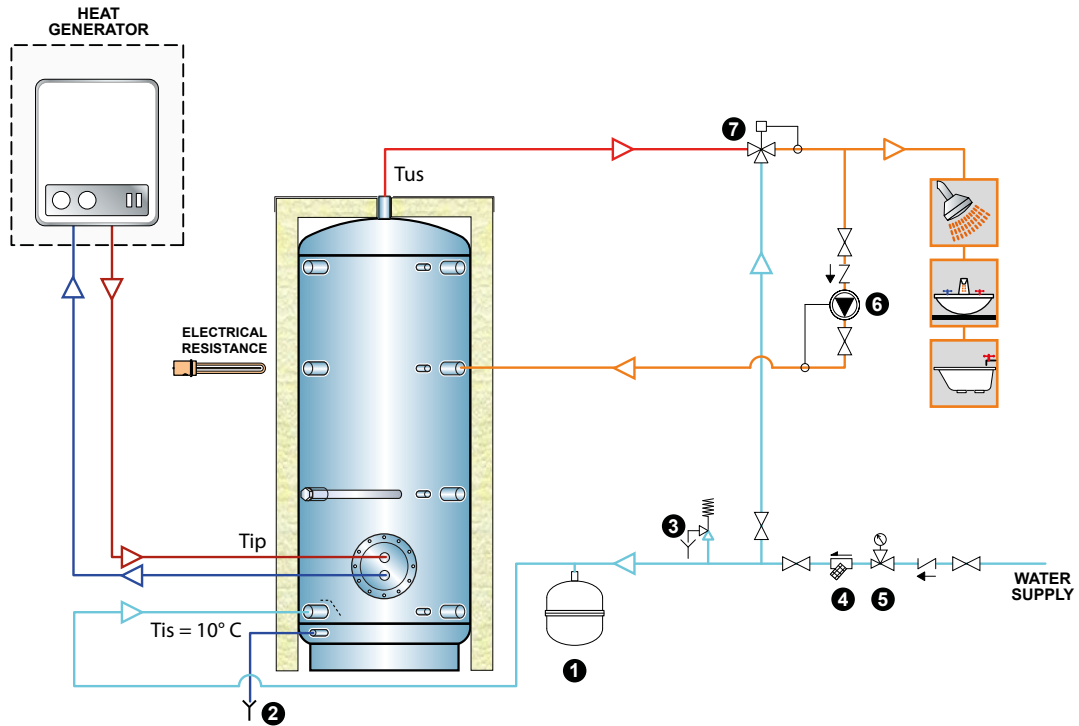
* Model BV1BR 01500 doesn't need an exhaust kit
Horizontal version +10%

Removable exchanger boilers

Caution: Indicative Schematic diagram, not substitutive for project work.

LEGEND

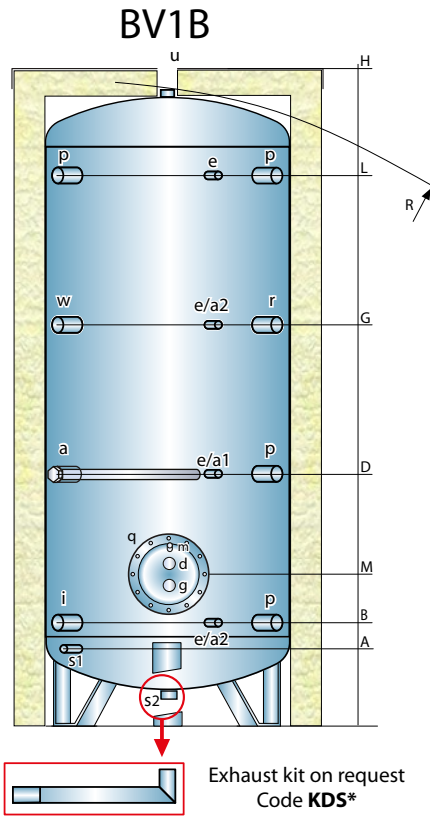
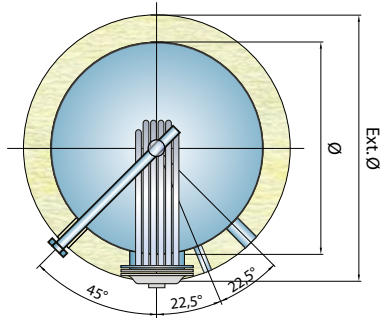
- 1. Sanitary expansion vessel
- 2. Sanitary drain
- 3. Sanitary safety valve (6 bar)
- 4. Dirt filter
- 5. Pressure reducer
- 6. Sanitary recirculation pump
- 7. Sanitary mixing valve



Model	lower exchanger							Amount of water in the first 10 min (Lt/10')
	Sq.m. (Lt)	Lt/h (mca)	Tip (°C)	production of Sanitary Hot Water				
				Tus=45°C		Tus=60°C		
				Power (kW)	Flow (Lt/h)	Power (kW)	Flow (Lt/h)	
BV1B_01500_	3 (13)	6000 (1,4)	80	71,3	1751	57,0	980	2150
			70	56,5	1389	40,0	689	2126
BV1B_02000_	4 (17,2)	7000 (1,3)	80	94,1	2311	74,8	1287	2830
			70	74,6	1834	53,0	912	2806
BV1B_02500_	5 (20,8)	8000 (1,3)	80	116,4	2860	92,8	1596	3507
			70	92,4	2270	65,8	1132	3484
BV1B_03000_	5 (20,8)	10000 (1,7)	80	118,8	2918	95,0	1633	4144
			70	94,2	2315	66,7	1148	4129
BV1B_04000_	8 (31,4)	12000 (1,7)	80	184,3	4528	148,4	2553	5496
			70	146,3	3595	104,5	1798	5482
BV1B_05000_	10 (34,3)	15000 (1,7)	80	230,4	5660	185,5	3191	6786
			70	182,9	4494	130,7	2247	6786

For the purposes of the Directive (ErP) 2009/125/EC Regulation N° 812/2013 and N° 814/2013 the results of the energy measurements are given on page 218

- a magnesium anode
- a1 - a2 provision for the electronic anode
- d boiler flow
- e thermometer – probe
- g boiler return
- i sanitary cold water inlet
- m exchanger vent
- p service connection
- q exchanger flange
- r recirculation
- s discharge
- u sanitary hot water output
- w electrical resistance provision



Removable exchanger boilers

Model	Dimensions (mm)				Exchanger (Sq.m.)	Electronic anode (optional)	Weight (Kg)
	Ø	H	Ø Ext **	R			
BV1B_01500_	1000	2115	1200	2145	3,00	a2 (EPS 375/125)	226
BV1B_02000_	1100	2435	1300	2465	4,00	a2 (EPS 375/125)	295
BV1B_02500_	1200	2595	1400	2640	5,00	a2 (EPS 700/200)	351
BV1B_03000_	1250	2795	1450	2835	5,00	a2 (EPS 700/200)	379
BV1B_04000_	1400	2925	1600	2995	8,00	a2 (EPS 700/200)	560
BV1B_05000_	1600	2955	1800	3090	10,00	a2 (EPS 700/200)	652

* Model BV1B_01500 doesn't need an exhaust kit

** All insulations are removable

Model	Quotes (mm)						Connections (gas)											
	A	B	D	G	L	M	a	p	r	d	g	e	i	u	m	s1	s2	w
BV1B_01500_	235	340	765	1400	1725	520	1"	1/4"	2"	1/2"	2"	3/8"	1"	-	1 1/2"	300/380		
BV1B_02000_	-	475	1010	1515	1975	655	1"	1/4"	2"	1/2"	2"	3/8"	-	1 1/2"	350/430			
BV1B_02500_	-	505	1040	1600	2105	690	1"	1/4"	2"	1/2"	2"	3/8"	-	1 1/2"	350/430			
BV1B_03000_	-	515	1100	1730	2300	675	1"	1/4"	2"	1/2"	3"	3/8"	-	1 1/2"	350/430			
BV1B_04000_	-	595	1190	1815	2380	755	1"	1/4"	2"	1/2"	3"	3/8"	-	1 1/2"	350/430			
BV1B_05000_	-	600	1185	1815	2385	825	1"	1/4"	2"	1/2"	3"	3/8"	-	1 1/2"	350/430			