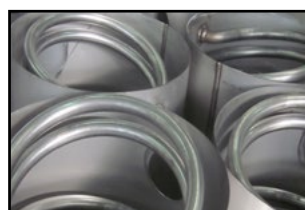


# SFI - Stainless steel boiler AISI 316L with a single fixed coil

# DSFI - Stainless steel boiler AISI 316L with double fixed coil



Inox steel boiler AISI 316L for the production and storage of sanitary hot water with the internal fixed coil heat exchanger.



TECHNICAL CHARACTERISTICS

Sanitary	Material:	Inox AISI 316L (1.4404)
	Internal protective processing:	Pickling and passivation
	External protective processing:	Pickling and passivation
	Operation (P max. / T max.):	6 bar / 95°C
	Cathodic protection:	Magnesium anode
Upper exchanger (boiler)	Material:	Inox AISI 316L (1.4404)
	Internal protective processing:	Pickling and passivation
	External protective processing:	Pickling and passivation
Lower exchanger (solar)	Typology:	Spiral fixed coil
	Operation (P max. / T max.):	12 bar / 95°C
General characteristics	Capacity:	150 - 2000 Lt
	Warranty:	5 years
	Insulation:	- Rigid polyurethane + pvc: <i>Fire resistance class B3 (DIN 4102)</i>
		- Flexible Polyester + pvc: <i>Fire resistance class B2 (DIN4102)</i>
	Reference legislation:	- PED 14/68/UE Art. 4 Par. 3 (Pressure equipment)
- M.D. of 6th April 2004 N.174 (suitability of materials in contact with SHW) - Directive 2009/125/CE (Energy related Products)		

FITTINGS  
(pag. 152)



Electronic anode with impressed current



Electronic control unit



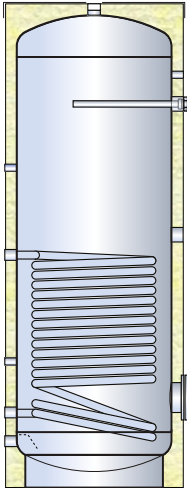
Electrical resistance 1"1/2 connection



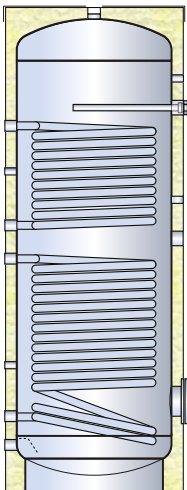
Thermostat



Thermometer

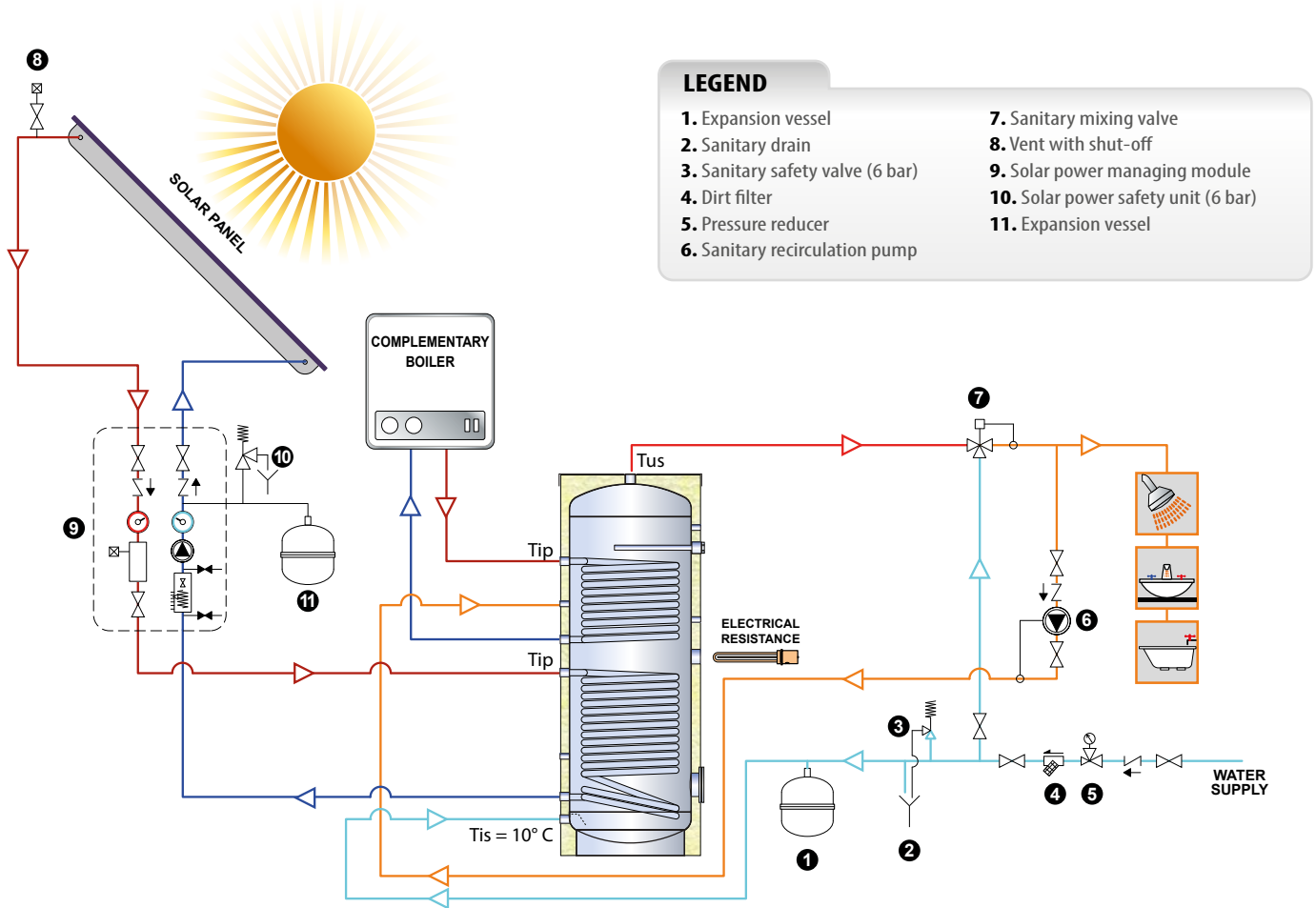

**SFI - Stainless steel boiler AISI 316L with a single fixed coil**

Flexible polyester insul. 100 mm thick + pvc			Rigid Polyurethane insulation + pvc			
Code	ErP	€	Code	Thickness (mm)	ErP	€
-	-	-	SFI 00150 R	50	B	-
-	-	-	SFI 00200 R	50	B	-
-	-	-	SFI 00300 R	50	B	-
-	-	-	SFI 00400 R	50	B	-
-	-	-	SFI 00500 R	50	B	-
SFI 00800 F	D	-	SFI 00800 R	100	C	-
SFI 01000 F	D	-	SFI 01000 R	100	C	-
SFI 01500 F	D	-	SFI 01500 R	100	C	-
SFI 02000 F	D	-	SFI 02000 R	100	C	-


**DSFI - Stainless steel boiler AISI 316L with double fixed coil**

Flexible polyester insul. 100 mm thick + pvc			Rigid Polyurethane insulation + pvc			
Code	ErP	€	Code	Thickness (mm)	ErP	€
-	-	-	DSFI 00200 R	50	B	-
-	-	-	DSFI 00300 R	50	B	-
-	-	-	DSFI 00400 R	50	B	-
-	-	-	DSFI 00500 R	50	B	-
DSFI 00800 F	D	-	DSFI 00800 R	100	C	-
DSFI 01000 F	D	-	DSFI 01000 R	100	C	-
DSFI 01500 F	D	-	DSFI 01500 R	100	C	-
DSFI 02000 F	D	-	DSFI 02000 R	100	C	-

Caution: Indicative Schematic diagram, not substitutive for project work.



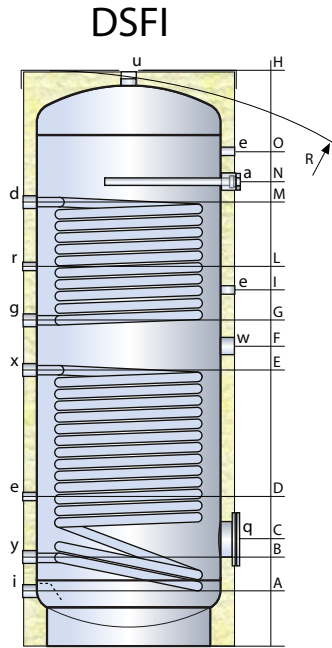
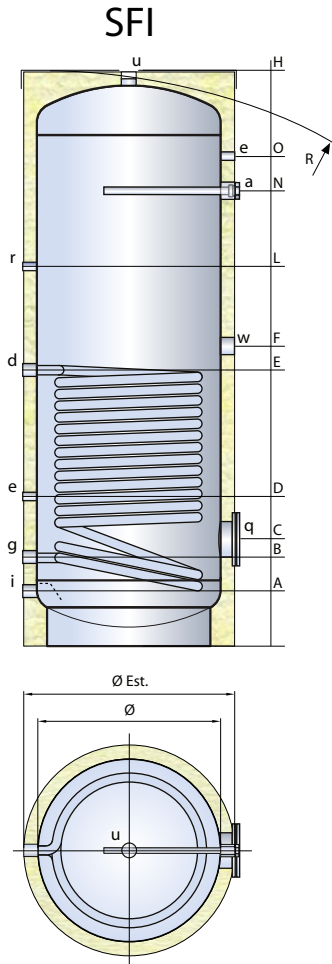
**LEGEND**

- 1. Expansion vessel
- 2. Sanitary drain
- 3. Sanitary safety valve (6 bar)
- 4. Dirt filter
- 5. Pressure reducer
- 6. Sanitary recirculation pump
- 7. Sanitary mixing valve
- 8. Vent with shut-off
- 9. Solar power managing module
- 10. Solar power safety unit (6 bar)
- 11. Expansion vessel

Model	lower exchanger								upper exchanger								Amount of water in the first 10 min (Lt/10')
	Sq.m. (Lt)	Lt/h (mca)	Tip (°C)	production of Sanitary Hot Water				NL*	Sq.m. (Lt)	Lt/h (mca)	Tip (°C)	production of Sanitary Hot Water				NL*	
				Tus=45°C		Tus=60°C						Tus=45°C		Tus=60°C			
				Power (kW)	Flow (Lt/h)	Power (kW)	Flow (Lt/h)					Power (kW)	Flow (Lt/h)	Power (kW)	Flow (Lt/h)		
SFI 00150R	0,85 (6,0)	2000 (0,3)	80	25,0	614	20,0	344	2,2	---	---	---	---	---	---	---	---	280
_SFI 00200R	0,9 (6,4)	2000 (0,3)	80	26,5	650	21,2	365	3,5	0,5 (3,5)	2000 (0,2)	80	15,3	376	12,1	209	1,2	347
			70	21,0	516	14,9	256				70	12,1	298	8,6	148		332
_SFI 00300R	1,3 (9,2)	2000 (0,4)	80	36,6	900	29,4	506	7,8	0,85 (6,0)	2000 (0,3)	80	25,0	614	20,0	344	2,0	497
			70	29,1	715	20,9	360				70	19,8	487	14,2	244		479
_SFI 00400R	1,6 (11,3)	3000 (1,1)	80	46,1	1132	37,1	638	12,2	0,9 (6,4)	3000 (0,6)	80	27,3	670	21,7	373	3,4	654
			70	36,6	899	26,1	449				70	21,6	531	15,3	264		631
_SFI 00500R	1,95 (13,8)	3000 (1,4)	80	55,0	1351	44,1	759	18,1	1,1 (7,8)	3000 (0,8)	80	32,7	802	26,3	453	5,2	805
			70	43,7	1073	31,4	540				70	26,2	643	18,5	318		779
_SFI 00800_	2,7 (19,2)	3000 (1,9)	80	71,9	1767	58,6	1008	22,0	1,5 (10,6)	3000 (1,1)	80	43,6	1072	34,8	598	7,4	1239
			70	57,9	1422	41,8	719				70	34,6	851	24,7	424		1209
_SFI 01000_	3 (21,3)	3000 (2,1)	80	79,0	1940	64,0	1100	29,1	1,9 (13,5)	3000 (1,4)	80	53,6	1316	43,4	746	11,2	1509
			70	62,9	1545	45,7	787				70	42,5	1045	30,6	526		1478
_SFI 01500_	3,7 (26,3)	4000 (4,6)	80	98,6	2422	80,3	1381	36,5	2,3 (16,3)	4000 (2,8)	80	65,5	1610	52,9	910	15,5	2193
			70	78,4	1927	57,3	986				70	52,6	1292	37,6	646		2161
_SFI 02000_	4,8 (34,1)	4000 (5,9)	80	120,2	2952	98,6	1697	51,0	3 (21,3)	4000 (3,7)	80	82,7	2033	66,8	1149	20,8	2862
			70	97,0	2385	71,4	1229				70	65,8	1616	47,6	818		2834

\* Efficiency coefficient NL (DIN 4708)

For the purposes of the Directive (ErP) 2009/125/EC Regulation N° 812/2013 and N° 814/2013 the results of the energy measurements are given on page 218



- a magnesium anode
- d boiler flow
- e thermometer - probe
- g boiler return system
- i domestic cold water input
- q domestic cold water input
- r recirculation
- u domestic hot water outlet
- w connection for electrical resistance
- x solar flow
- y solar return

Model	Dimensions (mm)				Exchanger (Sq.m.)		Weight DSFI (Kg)
	Ø	H	Ø Ext **	R*	Lower	Upper	
SFI 00150R	450	1055	550	1200	0,85	-	46
_SFI 00200R	450	1305	550	1430	0,90	0,50	59
_SFI 00300R	500	1595	600	1720	1,30	0,85	78
_SFI 00400R	650	1395	750	1600	1,60	0,90	89
_SFI 00500R	650	1645	750	1820	1,95	1,10	104
_SFI 00800_	790	1750	990	1745	2,70	1,50	148
_SFI 01000_	790	2110	990	2095	3,00	1,90	173
_SFI 01500_	1000	2115	1200	2145	3,70	2,30	252
_SFI 02000_	1100	2435	1300	2465	4,80	3,00	331

\* For capacities from 150 to 500 Lt diagonal of rollover refers to the insulated tank  
 \*\* All insulations are removable except the models from 150 to 500 L

Model	Dimensions (mm)												Connections (gas)						
	A	B	C	D	E	F	G	I	L	M	N	O	a	dg	xy	e	iu	r	w
SFI 00150R	110	190	260	300	530	560	-	-	730	-	730	840	1"1/4	1"	1/2"	1"	1/2"	1"1/2	120/180
_SFI 00200R	110	190	260	340	630	690	740	850	840	950	980	1090	1"1/4	1"	1/2"	1"	1/2"	1"1/2	120/180
_SFI 00300R	120	230	300	405	790	845	900	1050	1050	1200	1250	1365	1"1/4	1"	1/2"	1"	1/2"	1"1/2	120/180
_SFI 00400R	145	240	310	375	690	745	800	900	900	1000	1030	1140	1"1/4	1"	1/2"	1"	1/2"	1"1/2	120/180
_SFI 00500R	145	240	310	395	840	895	950	1095	1095	1250	1280	1390	1"1/4	1"	1/2"	1"	1/2"	1"1/2	120/180
_SFI 00800_	170	275	345	425	870	940	1010	1095	1200	1385	1250	1425	1"1/4	1"	1/2"	1"1/2	1"	1"1/2	120/180
_SFI 01000_	170	275	345	430	1020	1090	1160	1280	1400	1635	1450	1770	1"1/4	1"	1/2"	1"1/2	1"	1"1/2	120/180
_SFI 01500_	230	375	475	530	1110	1180	1250	1345	1460	1675	1490	1740	1"1/4	1"	1/2"	2"	1"	1"1/2	220/290
_SFI 02000_	325	465	585	620	1350	1420	1490	1625	1755	2015	1830	2035	1"1/4	1"	1/2"	2"	1"	1"1/2	220/290